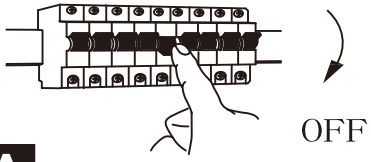
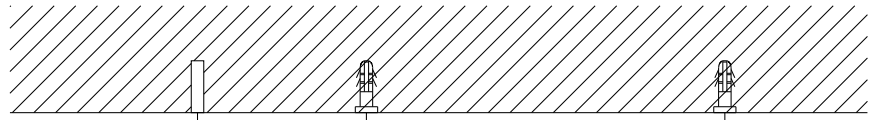


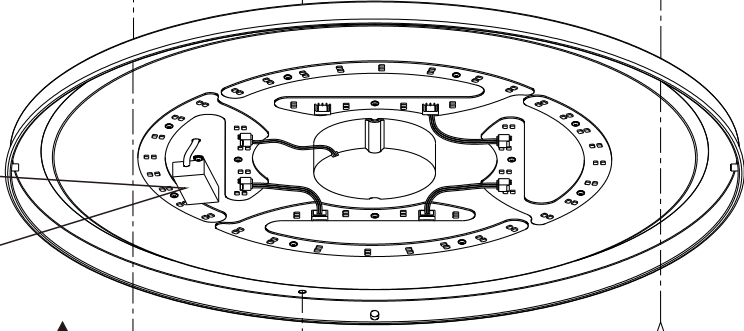
B

OFF

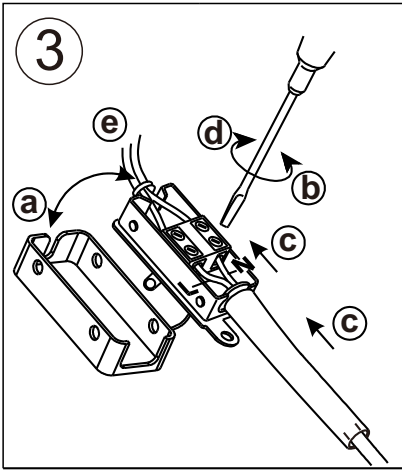
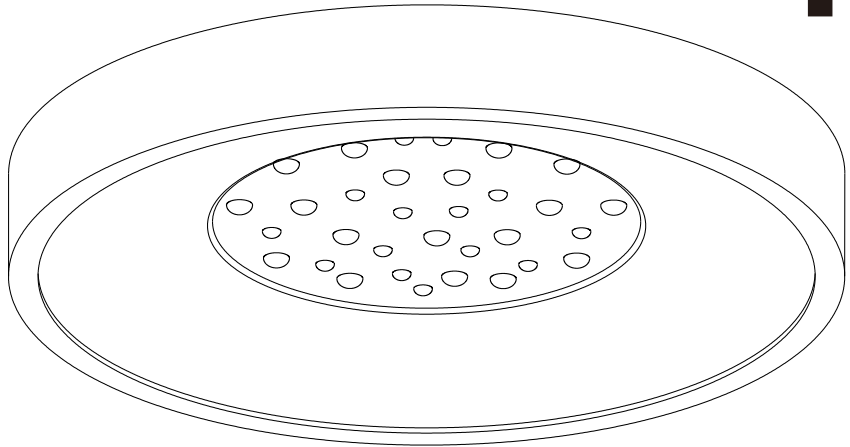
A

1 ↑

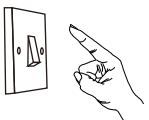
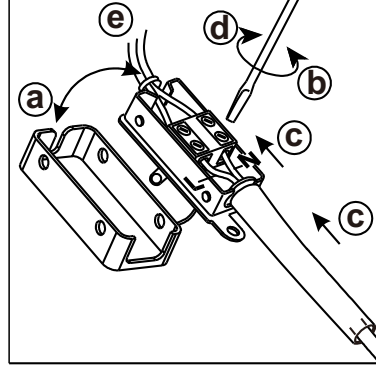
2 ↻



4 ↻



3



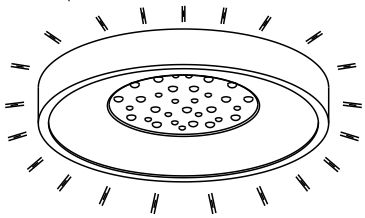
ON

OFF

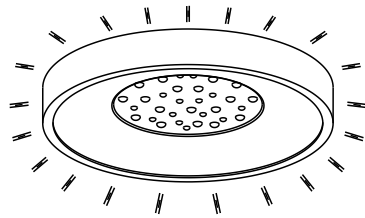
ON

OFF

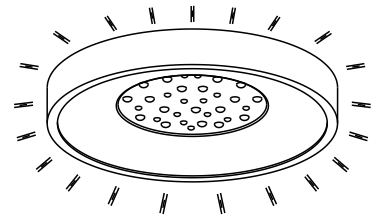
ON



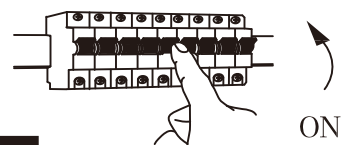
2700K 100%



2700K 50%+5000K 50%



5000K 100%

C

ON